

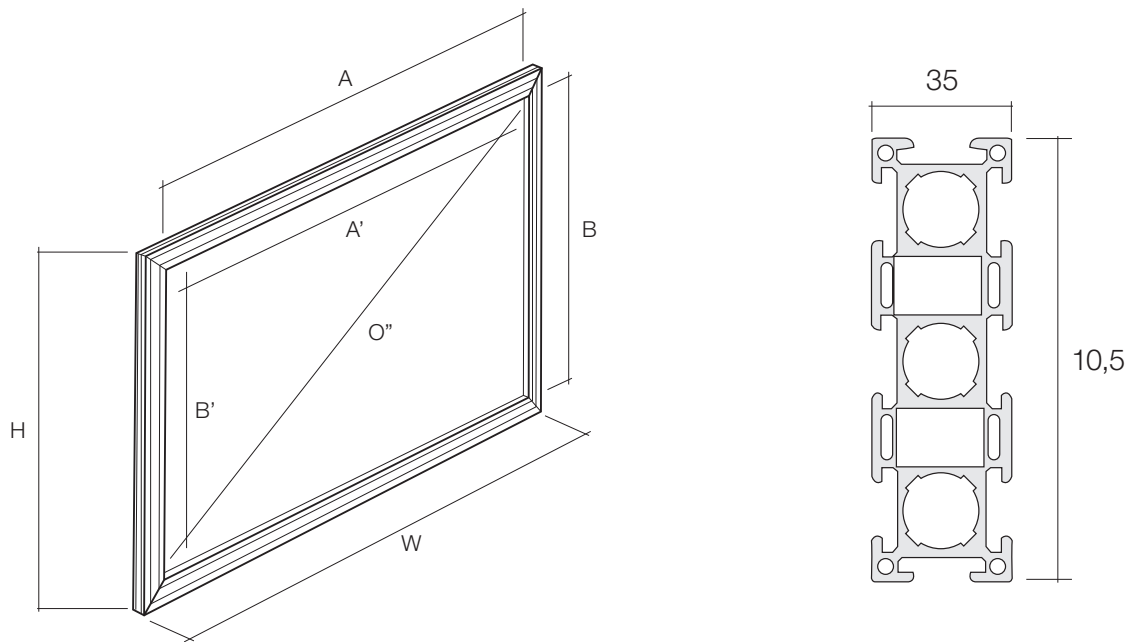
MASTERFRAME

PROJECTION SCREENS WITH RIGID FRAME

With elegant frames in extruded charcoal anodized aluminium, the MASTERFRAME screens have a great visual impact and are easy to mount. The available screens - Soft White, Transound and Retroprojection - are fixed to the back of the structure by means of practical rubber bands.

Canvas	Realised with the following projection fabric: SOFT WHITE, SOFT WHITE TRANSOUND, RETRO.
Frame	Extruded aluminium, section 105x35 mm, charcoal anodized, extremely rugged and specially designed to resist twisting under wind effect.
	Screen surface always flat tensioned by means of elastics hooked on the rear profile, provided with sliding swivels for a perfect flatness. The frames are supplied in different lengths to fit the size of the screen.
Installations	Fabric anchoring to the frame by elastic bands attached at the rear of the structure with sliding pins. The pins can be placed in 3 different positions in order to best tighten the projection surface, even after multiple uses.
Certifications	CE
Warranty	12 months as per conditions indicated to the instruction manual.
Accessory (not included)	Couple of T-shaped upright stands: all screens are designed to be fitted on T-shaped upright stands, in case wall mounting is not possible.

MASTERFRAME projection screens with rigid frame



CODE/CANVAS			MODEL NAME	DIMENSIONS (AxB)	PROJECTION NET VIEW (AxB/O'')	PACKING	NET WEIGHT	GROSS WEIGHT
SOFT WHITE	TRANSOUND	RETRO						
"MASTER FRAME" SCREENS WITH RIGID FRAME - VIDEO RATIO 4:3								
779201	779221	779239	MASTERFRAME 500x375	500x375	176x136	196x27x14	-	60
779701	779721	779739	MASTERFRAME 600x450	600x450	196x151	216x27x14	-	74
779901	779921	779939	MASTERFRAME 700x525	700x525	216x166	236x27x14	-	88
779301	779321	779339	MASTERFRAME 800x600	800x600	236x181	256x27x14	-	104
779401	779421	779439	MASTERFRAME 900x975	900x975	256x196	276x27x14	-	120
779501	779521	779539	MASTERFRAME 1000x750	1000x750	256x196	276x27x14	-	138
779601	779621	779639	MASTERFRAME 1100x825	1100x825	256x196	276x27x14	-	155
779801	779821	779839	MASTERFRAME 1200x900	1200x900	256x196	276x27x14	-	175
"MASTER FRAME" SCREENS WITH RIGID FRAME - HDTV RATIO 16:9								
778401	778421	778439	MASTERFRAME 500x280	500x280	176x106	196x27x14	-	52
778501	778521	778539	MASTERFRAME 600x340	600x340	196x118	216x27x14	-	64
778601	778621	778639	MASTERFRAME 700x400	700x400	216x129	236x27x14	-	76
778701	778721	778739	MASTERFRAME 800x450	800x450	236x140	256x27x14	-	90
778801	778821	778839	MASTERFRAME 900x510	900x510	256x151	276x27x14	-	104
778901	778921	778939	MASTERFRAME 1000x560	1000x560	276x163	296x27x14	-	120
779001	779021	779039	MASTERFRAME 1100x620	1100x620	296x174	316x27x14	-	135
779101	779121	779139	MASTERFRAME 1200x680	1200x680	316x185	336x27x14	-	152
ACCESSORIES AND SPARE PARTS								
090046	RUBBER BANDS (100 pcs.)				-	-	-	-
090047	SLIDING HOOKS (100 pcs.)				-	-	-	-
	PAIR OF "T" UPRIGHTS FOR "CORI" SCREENS UP TO 600x450 cm (with adjustable rubber feet)				150x68	162x71x9		14

Size in cm, weights expressed in kilograms, diagonal expressed in inches (")