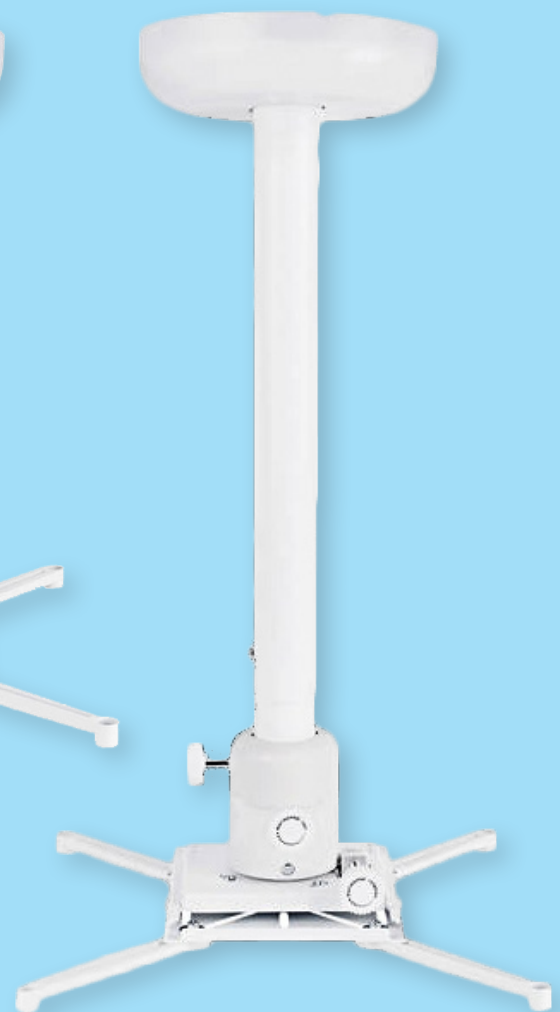




504351



504352



504353

UNIVERSAL PRO

Ceiling support for projector with micrometric adjustment

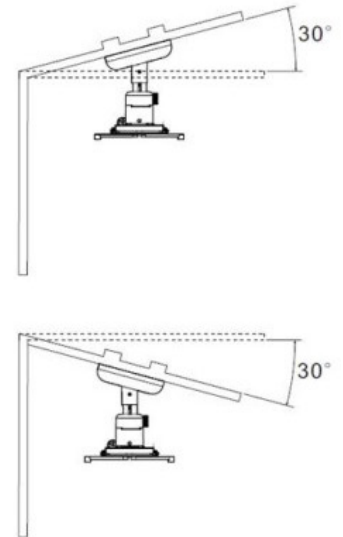
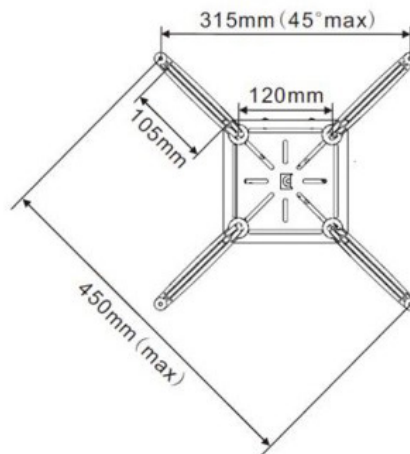
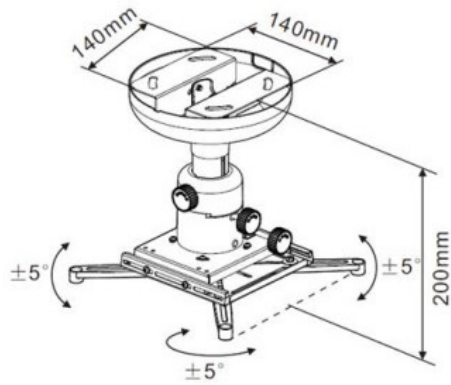
CEILING SUPPORTS WITH fixed arm and fine system of placement. The support, permits a simply placement of the projector in the most moderate position possible. It's possible to orientate and tilt the projector according to the different axes: furthermore, the sample is provided with cave's integrated management and fine regulation of the projector. Even when the projector is well-located, the support Universal Pro offers a minimal contact surface with the same projector, essential aspect to

assure the correct ventilation of the same projector. The technology "fine tune" offers advanced functionalities of placement that permit the tilt's regulation on different axes, even when the projector is assembled. This permits an installation's saving time, and makes the support Universal Pro perfect if we predict a change of projector in the future. The fixing arms are articulated and telescopic, so that they can fit to practically every kind of projector.

UNIVERSAL PRO

504351

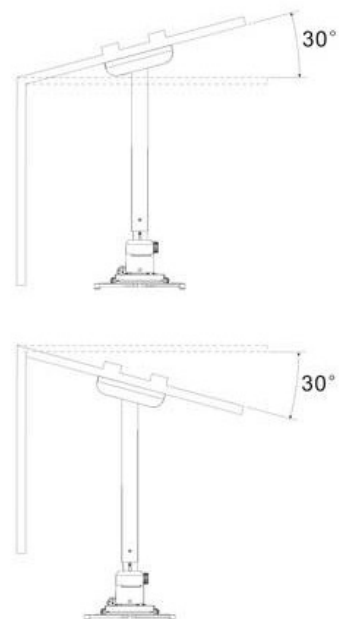
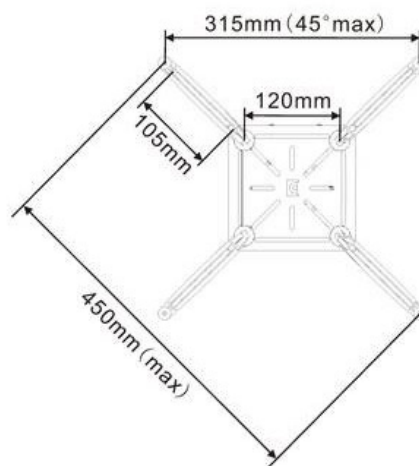
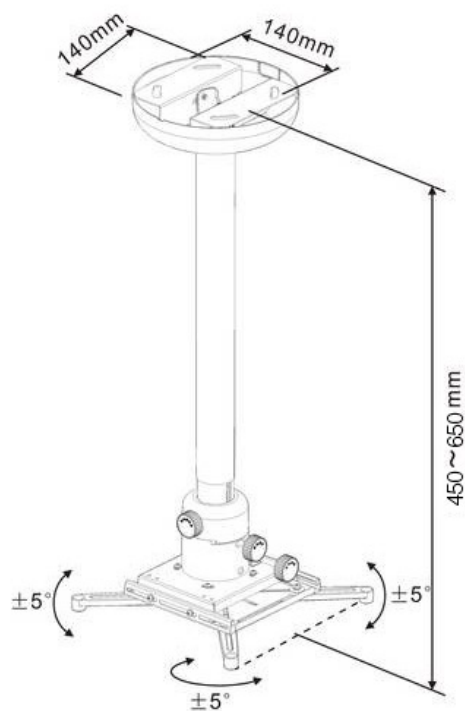
Ceiling support for projector with 20cm fixed arm



UNIVERSAL PRO

504352

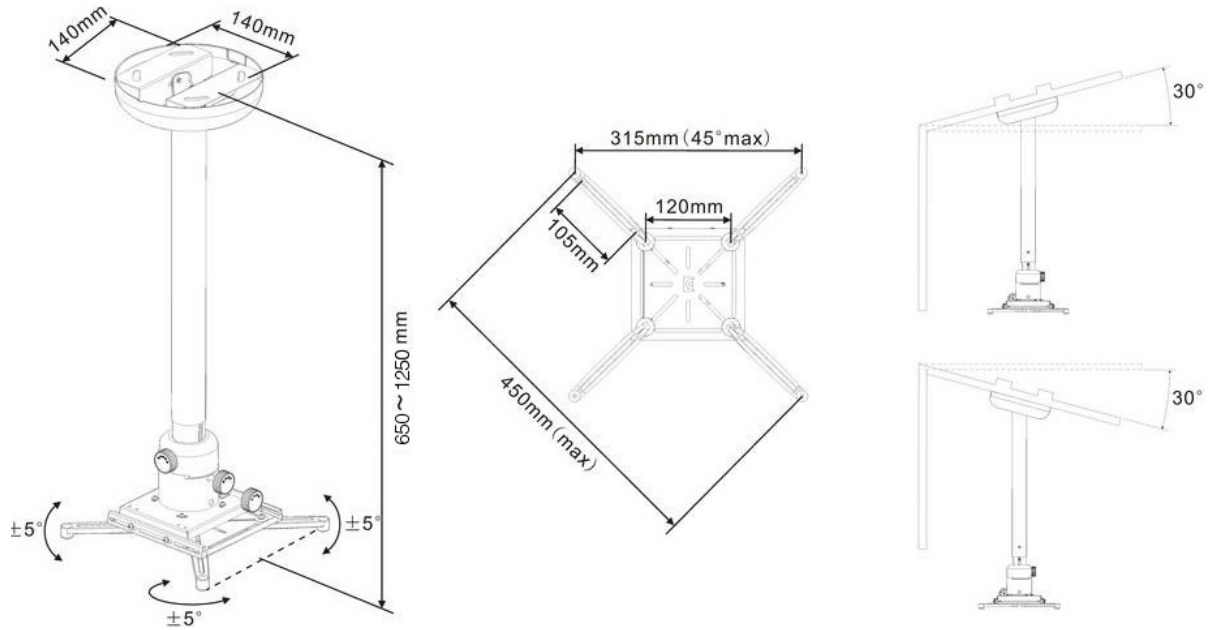
Ceiling support for projector with telescopic arm from 45 to 65cm



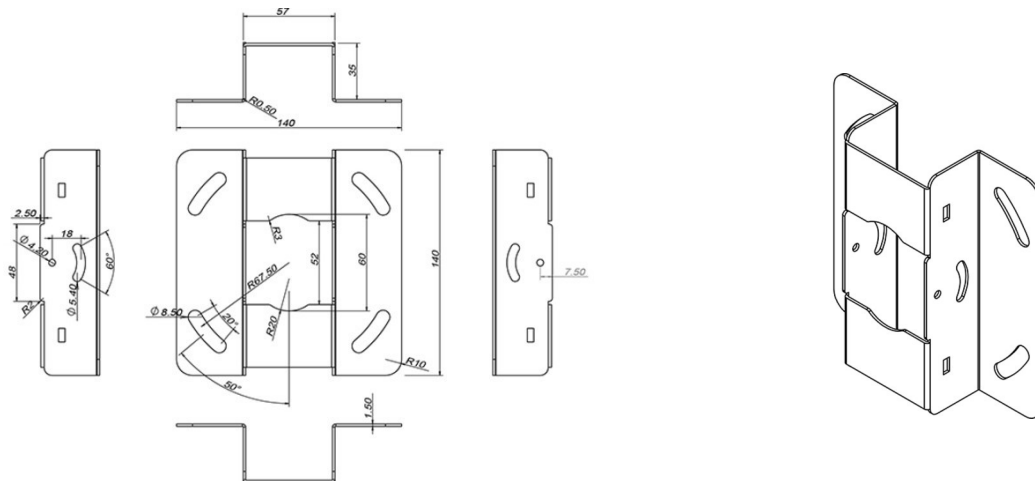
UNIVERSAL PRO

504353

Ceiling support for projector with telescopic arm from 75 to 125 cm



CODE	PROJECTION MOUNTING	WEIGHT	MAX LOAD	EXTENSION	COLOR	WARRANTY
504351	Ceiling	2,08 kg	10 kg	Fixed, 200 mm	White	5 years
504352		2,40 kg		450 - 650 mm		
504353		2,40 kg		750 - 1250 mm		





HELGI

THE DIGITAL COURTYARD

Helgi Europe
education@helgi-solutions.com
business@helgi-solutions.com
www.helgi-solutions.com